



Adaptatone® Millennium Multiple Tone Signal

Four Outputs

5531MHV Series

FEATURES

- > 27 tone capability - No additional tone modules needed
- > PLC compatible
- > Output up to 113 dB
- > Suitable for Division 2 Locations
- > Captive Components

AGENCY APPROVALS

- > NEMA Type 3R
- > IP 44
- > UL 464 and 1604 Listed
- > UL Listed for indoor and outdoor applications in Class I, Division 2, Groups A, B, C & D; Class II, Division 2, Groups F & G; and Class III Hazardous Locations
- > cUL C22.2 No. 205 (24AQ, 24N5 & 24Y6 models)
- > CE Marked, LV & EMC Directives, (24Y6 AC only & 24AQ models)
- > TUV Rheinland Certified

SPECIFICATIONS

- > Built-in cascading priority system
- > Speaker can be rotated and locked in any horizontal direction
- > 24V DC battery backup terminals

The Edwards 5531MHV Series Adaptatone Millennium is a high volume, 30 watt heavy-duty industrial signaling device capable of producing volume-controlled, high-decibel tones. Four tones can be activated from field-wired, normally open contacts, or a 24VDC or 120VAC external voltage source such as the output of a PLC. Normally open contacts can be obtained from the CatNo. 5538-4 and/or Cat. No. 5538-4R Adaptatone Signal Actuators See page 4-49.

The unit uses a microprocessor circuit to create 27 distinctive tones, selected by setting miniature dip switches within the unit. The tones programmed operate on a pyramid-type priority system in which a switch with a programmed tone takes priority over all switches that follow it. For more information on priority tone operation and a complete listing of all 27 tones, see page 4-55.

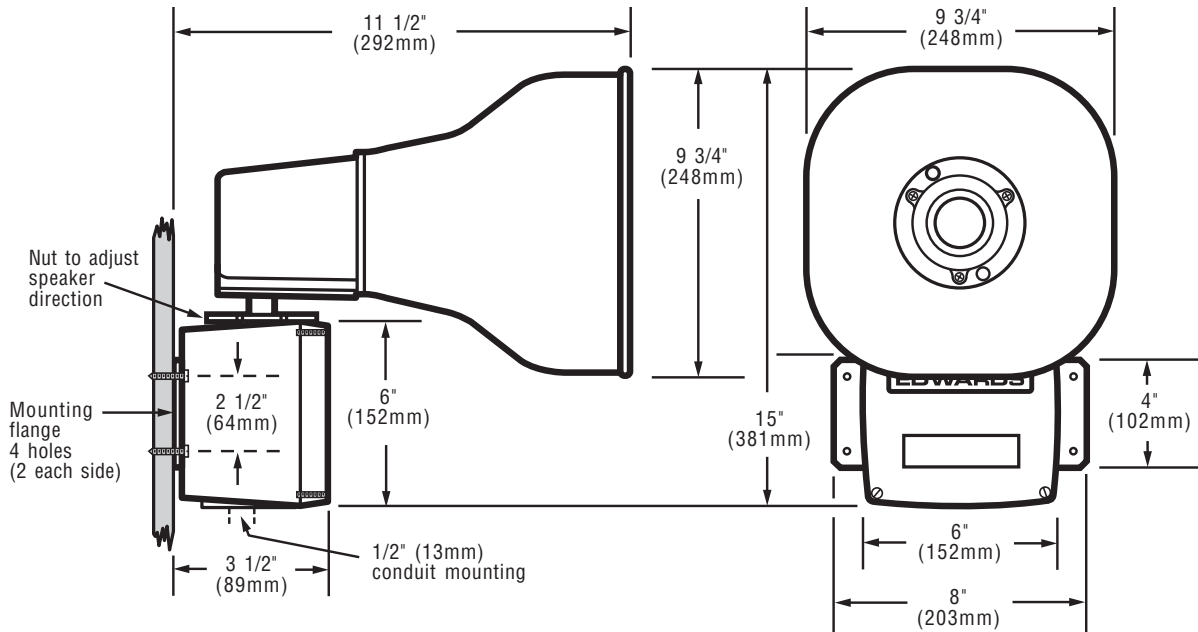
Designed for industrial applications including emergency warning systems, plant evacuation and security intrusion alarms, process monitoring, shift start-and-dismissal horns, and paging signals

The 5531M is designed for either 1/2" (13mm) conduit or surface mounting. See Adaptatone Signaling Installation, pages 4-56.

D-04



TECHNICAL INFORMATION



Cat. No.	Operating Voltage	Input Card Activation Voltage	Signal Off Standby Current (Amps)	Signal On Operating Current (Amps)
5531MHV-24AQ	24V DC	24VDC	0.10	1.14
	24V AC 50/60 Hz		0.10	1.73
5531MHV-24Y6	120V AC 50/60 HZ	24VDC	0.10	0.47
5531MHV-120Y6	240V AC 50/60 Hz	120VAC	0.10	0.28
	125V DC		0.10	0.31

SIGNAL INPUT LOAD CHARACTERISTICS* (PLC output to meet following product input parameters)

Cat. No.	Operating voltage	Max. off state leakage current (mA)	Continuous on current (mA)	Surge (inrush/duration) Amps/milliseconds
5531MHV-24AQ	24V DC only	2	1500	8/4
24VDC Input Board	5V DC to 24V DC (each input)	2	6	—

*This device is PLC compatible and may be operated by PLCs with output characteristics that match the input load requirements of this signal.